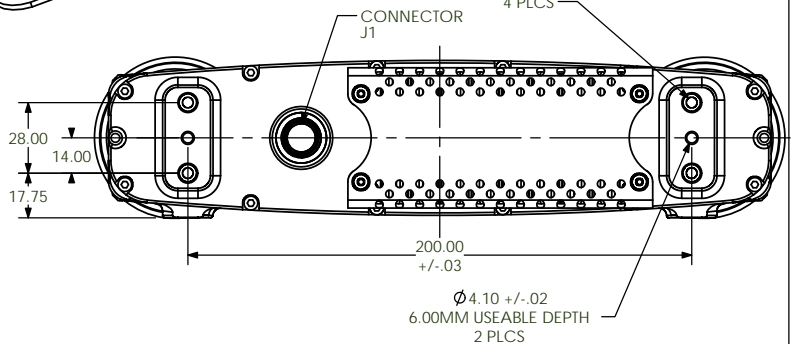
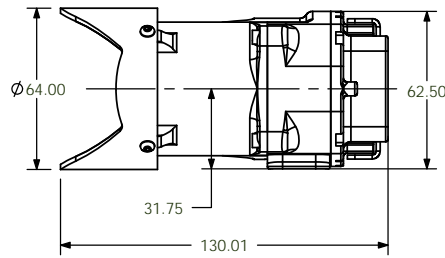
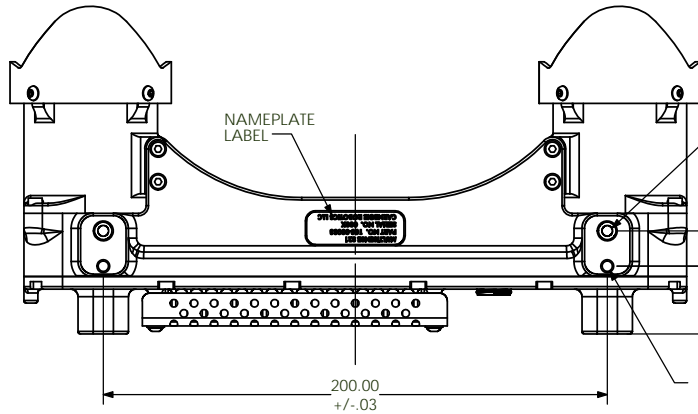
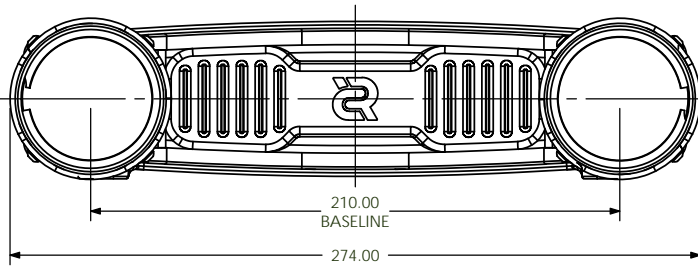
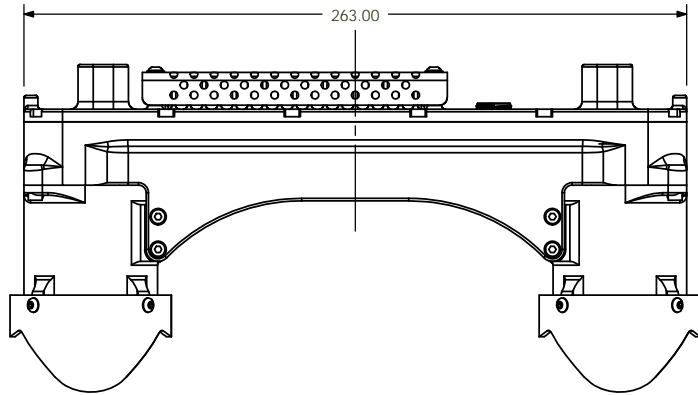


REV	DESCRIPTION




M5x0.8 18-8 STAINLESS STEEL INSERT  
8.00MM USEABLE THREAD  
10.75MM MAX FASTENER DEPTH  
2 PLCS

Ø4.10 +/- .02  
6.00MM USEABLE DEPTH  
2 PLCS

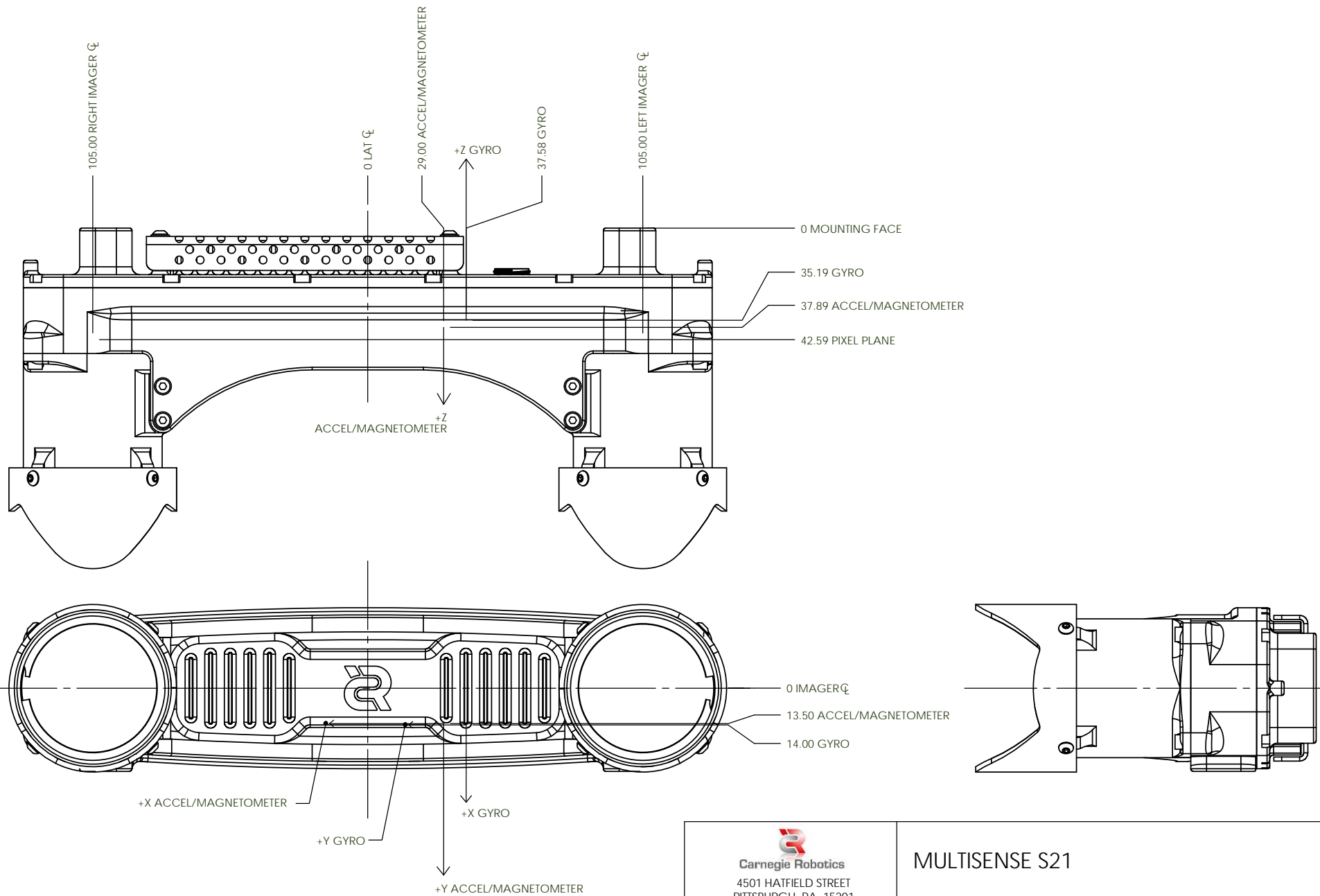
CONFIGURATION SHOWN: 5.0MM FOCAL LENGTH, 2/3IN FORMAT LENS  
2MP IMAGER LENS HOOD  
WEIGHT: 1.5KG = 3.3LB  
EXTERIOR FINISH: POWDERCOAT .002-.004IN THICK, COLOR PER CUSTOMER SPEC

THE INFORMATION CONTAINED IN THIS DRAWING IS THE SOLE PROPERTY OF CARNEGIE ROBOTICS LLC. ANY REPRODUCTION IN PART OR AS A WHOLE WITHOUT THE WRITTEN PERMISSION OF CRL IS PROHIBITED.

 <b>Carnegie Robotics</b> 4501 HATFIELD STREET PITTSBURGH, PA 15201	
DRAWN BY: R. DOLL	CREATED
CHKD BY:	3/25/2014

MULTISENSE S21	
SIZE <b>A</b>	PART NUMBER: <b>100-00033</b>
REV <b>0</b>	

DIMENSIONS ARE IN MM	MATERIAL	FINISH	<b>DO NOT SCALE</b>
	SEE NOTES	SEE NOTES	
			SHEET 1 OF 3



GYRO AND ACCEL/MAGNETOMETER DEFAULT AXES ARE SHOWN  
AXES FOLLOW RIGHT HAND RULE CONVENTION

THE INFORMATION CONTAINED IN THIS  
DRAWING IS THE SOLE PROPERTY OF  
CARNEGIE ROBOTICS LLC. ANY  
REPRODUCTION IN PART OR AS A  
WHOLE WITHOUT THE WRITTEN  
PERMISSION OF CRL IS PROHIBITED.

  
**Carnegie Robotics**  
4501 HATFIELD STREET  
PITTSBURGH, PA 15201

**MULTISENSE S21**

DRAWN BY: R. DOLL      CREATED  
CHKD BY:                      3/25/2014

SIZE **A**      PART NUMBER: **100-00033**

REV **0**

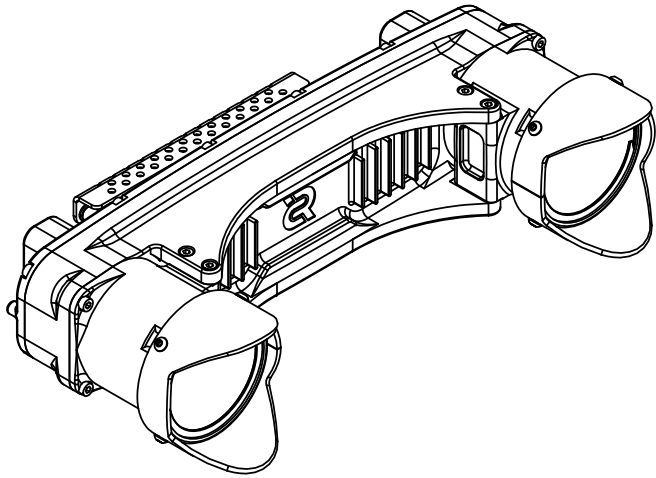
UNLESS OTHERWISE SPECIFIED  
DIMENSIONS ARE IN MM  
TOLERANCES:  
ANGULAR: MACH ± .5 DEG  
NO DECIMAL ± 1.3  
ONE PLACE DECIMAL ± .3  
TWO PLACE DECIMAL ± .13



MATERIAL  
SEE NOTES

FINISH  
SEE NOTES

**DO NOT SCALE**  
SHEET 2 OF 3




CONNECTOR	PIN	SIGNAL	DESCRIPTION	DEVELOPER HARNESS WIRE GAUGE (AWG)	DEVELOPER HARNESS WIRE COLOR
J1	1	OPTO_RXP1	-	-	-
J1	2	VIN-	INPUT POWER GROUND	22	BLACK
J1	3	OPTO_RXN1	-	-	-
J1	4	OPTO_TXP1	-	-	-
J1	5	OPTO_TXN1	-	-	-
J1	6	OPTO_RXP0	OPTO RX A	22	BLUE
J1	7	OPTO_RXN0	OPTO RX K	22	GREEN
J1	8	CHASSIS	CHASSIS GROUND	-	-
J1	9	ETH_D3_N	1000BASE ETHERNET	24	BROWN
J1	10	ETH_D1_N	1000BASE ETHERNET	24	GREEN
J1	11	ETH_D2_P	1000BASE ETHERNET	24	BLUE
J1	12	VIN+	INPUT POWER	22	BROWN
J1	13	ETH_D3_P	1000BASE ETHERNET	24	WHITE/BROWN
J1	14	ETH_D1_P	1000BASE ETHERNET	24	WHITE/GREEN
J1	15	ETH_D2_N	1000BASE ETHERNET	24	WHITE/BLUE
J1	16	ETH_D0_P	1000BASE ETHERNET	24	WHITE/ORANGE
J1	17	OPTO_TXP0	OPTO TX C	22	YELLOW
J1	18	OPTO_TXN0	OPTO TX E	22	ORANGE
J1	19	ETH_D0_N	1000BASE ETHERNET	24	ORANGE

CONNECTOR	MULTISENSE S21 SIDE	MATE, MATCHING PLATING	MATE, TYPICALLY STOCKED PLATING
J1	801-075-07MT9-19PA	801-007-16MT9-19SA	801-007-16M9-19SA

INPUT POWER VOLTAGE RANGE +12 TO +48VDC

MULTISENSE S21 IS DELIVERED WITH NICKEL-PTFE (MT) COATING ON CONNECTOR J1. THIS COATING IS PREFERRED FOR MATING CABLES, HOWEVER, IT IS OFTEN NOT STOCKED BY GLENAIR. THE ELECTROLESS NICKEL (M) PLATED VERSION IS TYPICALLY STOCKED BY GLENAIR.

REFER TO GLENAIR DOCUMENTATION FOR MATING CONNECTOR ASSEMBLY INSTRUCTIONS.

 <b>Carnegie Robotics</b> 4501 HATFIELD STREET PITTSBURGH, PA 15201		<b>MULTISENSE S21</b>	
DRAWN BY: R. DOLL CHKD BY:	CREATED 3/25/2014	SIZE <b>A</b>	PART NUMBER: <b>100-00033</b>
UNLESS OTHERWISE SPECIFIED		MATERIAL SEE NOTES	FINISH SEE NOTES
THE INFORMATION CONTAINED IN THIS DRAWING IS THE SOLE PROPERTY OF CARNEGIE ROBOTICS LLC. ANY REPRODUCTION IN PART OR AS A WHOLE WITHOUT THE WRITTEN PERMISSION OF CRL IS PROHIBITED.		DIMENSIONS ARE IN MM TOLERANCES: ANGULAR: MACH ± .5 DEG NO DECIMAL ± 1.3 ONE PLACE DECIMAL ± .3 TWO PLACE DECIMAL ± .13	REV <b>0</b>  <b>DO NOT SCALE</b>  SHEET 3 OF 3

