

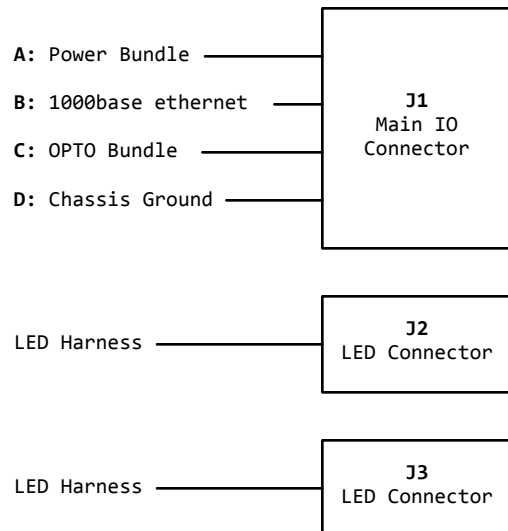
Connector	MultiSense-SL side	Mate, matching plating	Mate, stock plating
J1	801-009-07MT9-19PA	801-007-16MT9-19SA	801-007-16M9-19SA
J2 & J3	801-009-07MT6-4SA	801-007-16MT6-4PA	801-007-016M6-4PA

Notes:


24v input power bus accepts 18v to 48v nominal voltages.

MultiSense-S7 is delivered with Glenair "1000 hour grey" [MT] coating on all connectors. This coating is preferred for mating cables, but is generally not stocked by Glenair. If stocked connectors are preferred, order mates with "Electroless Nickel" [M].

Reserved pins should be left disconnected in the exterior mating harness.



Pin	Function	AWG	Bundle	Color
J1-1	Reserved	-	-	-
J1-2	Ground	22	A	Black
J1-3	Reserved	-	-	-
J1-4	Reserved	-	-	-
J1-5	Reserved	-	-	-
J1-6	Opto Rx A	22	C	Blue
J1-7	Opto Rx K	22	C	Green
J1-8	Chassis	22	D	Green
J1-9	1000base	24	B	Brown
J1-10	1000base	24	B	Green
J1-11	1000base	24	B	Blue
J1-12	24v	22	A	Brown
J1-13	1000base	24	B	Wht/Brown
J1-14	1000base	24	B	Wht/Green
J1-15	1000base	24	B	Wht/Blue
J1-16	1000base	24	B	Wht/Orange
J1-17	Opto Tx C	22	C	Yellow
J1-18	Opto Tx E	22	C	Orange
J1-19	1000base	24	B	Orange
J2-1 / J3-1	LED +	22	-	Yellow
J2-2 / J3-2	LED -	22	-	Grey

 Carnegie Robotics. #10 40 TH STREET PITTSBURGH, PA 15201	PART NAME	MultiSense-S7	SIZE	A
	PART NUMBER	100-00012	REV	1
	DRAWING NAME	Interface Specification		
DRAWN BY	CHKD BY	CREATED	DRAWING IS THE SOLE PROPERTY OF CARNEGIE ROBOTICS LLC	
			DO NOT SCALE	
			ANY REPRODUCTION IN PART OR AS A WHOLE WITHOUT THE WRITTEN PERMISSION OF CRL IS PROHIBITED	
			SHEET 2 OF 2	